



Riley Equipment Company
6911 Gant Road
Houston, Texas 77066
www.recofiltration.com
(281) 583-5295 Fax: (281) 583-5299

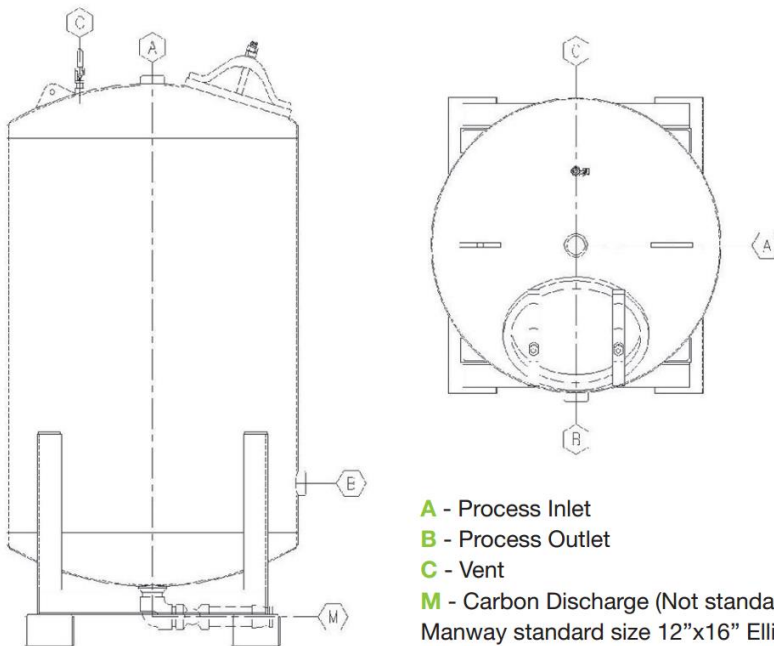
RL Series

There are a wide variety of options for RL Series Filters, contact our Sales Team to assist you.

APPLICATION: For liquid filtration. RL Series Filters are designed to treat liquid in a wide variety of adsorption applications. Their modular design enables them to easily fit most installation areas.

Standard features include:

- Steel construction
- Epoxy internal coating
- Efficient internal collector array
- Forklift skid
- Lifting eyes



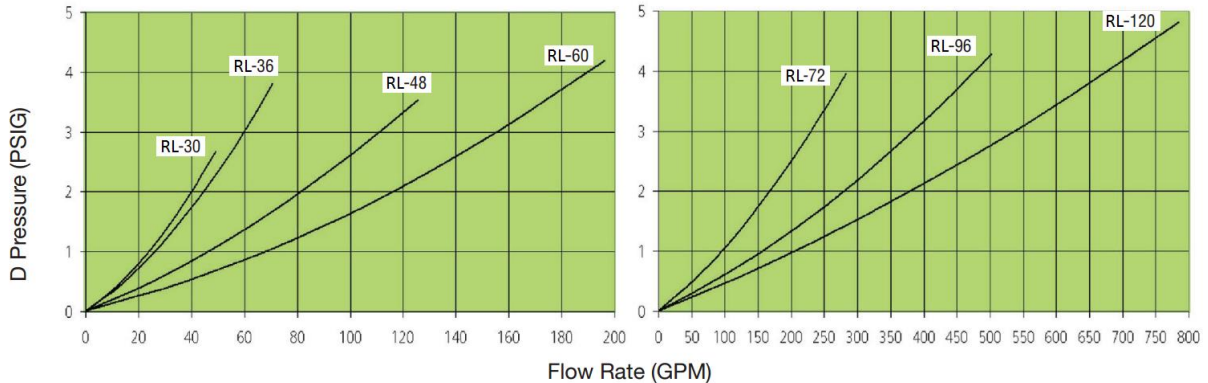
RL Series Standard Specifications

Model Number	RL-30	RL-36	RL-48	RL-60	RL-72	RL-96	RL-120
Overall Height	5'11"	7'2"	8'6"	8'11"	9'11"	10'9"	15'10"
Diameter	30"	36"	48"	60"	72"	96"	120"
Process Connection	2" FNPT	2" FNTP	3" FNTP	3" FNTP	4" FNTP	6" FLNG	8" FLNG
Typical GAC Fill (28#/ft ³)	500 lbs	1,000 lbs	2,000 lbs	3,000 lbs	5,000 lbs	10,000 lbs	20,000 lbs
Bed Depth/Volume	3.4 ft/16.7 ft ³	5 ft/33 ft ³	5.5 ft/68.7 ft ³	5.5 ft/107 ft ³	6 ft/168 ft ³	7 ft/ 350 ft ³	7 ft / 350 ft ³
Cross Sectional Bed Area	4.9 ft ²	7 ft ²	12.5 ft ²	19.5 ft ²	28 ft ²	50 ft ²	78 ft ²
Available Bed Volume	20 ft ³	35 ft ³	75 ft ³	117 ft ³	196 ft ³	400 ft ³	780 ft ³
Internal Piping Materials	SCH 40 PVC	SCH 40 PVC	SCH 40 PVC	SCH 40 PVC	SCH 40 PVC	SCH 40 PVC	SCH 40 PVC
Shipping Weight (Empty)	850 lbs	1535 lbs	3,020 lbs	3,525 lbs	7,490 lbs	13,800 lbs	27,250 lbs
Operational Weight	1,770 lbs	3,300 lbs	6,800 lbs	10,700 lbs	17,900 lbs	31,200 lbs	68,400 lbs
Internal Coating	Polyamide Epoxy Resin	Polyamide Epoxy Resin	Polyamide Epoxy Resin	Polyamide Epoxy Resin	Polyamide Epoxy Resin	Polyamide Epoxy Resin	Polyamide Epoxy Resin
External Coating	Epoxy Mastic	Epoxy Mastic	Epoxy Mastic	Epoxy Mastic	Epoxy Mastic	Epoxy Mastic	Epoxy Mastic
Maximum Pressure	75 PSIG	75 PSIG	75 PSIG	75 PSIG	75 PSIG	75 PSIG	75 PSIG
Maximum Temperature	140°F	140°F	140°F	140°F	140°F	140°F	140°F
Maximum Vacuum	28" Hg	28" Hg	28" Hg	28" Hg	28" Hg	28" Hg	28" Hg

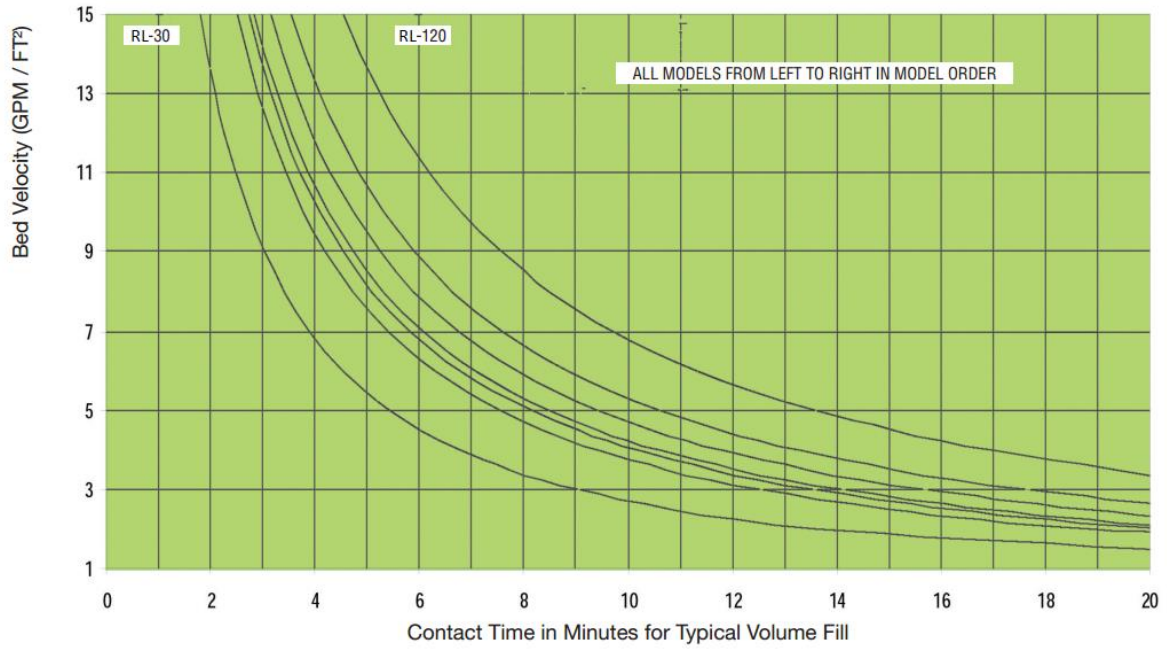
Gallons Per Minute (GPM) at Empty Bed Contact Times (EBCT) based on a Typical GAC Fill

Model Number	RL-30	RL-36	RL-48	RL-60	RL-72	RL-96	RL-120
GPM at 5 minutes EBCT	26.72	53.43	106.86	160.30	267.16	534.32	1068.65
GPM at 10 minutes EBCT	13.36	26.72	53.43	80.15	133.58	267.16	534.32
GPM at 15 minutes EBCT	8.91	17.81	35.62	53.43	89.05	178.11	356.22
GPM at 20 minutes EBCT	6.68	13.36	26.72	40.07	66.79	133.58	267.16
GPM at 25 minutes EBCT	5.34	10.69	21.37	32.06	53.43	106.86	213.73

Pressure Drop Graphs for RL Series Vessels



Relationship of Bed Velocity to Contact Time
(Divide desired flow rate in GPM by "Cross Sectional Bed Area" for Bed Velocity)



All information presented herein is believed reliable and in accordance with accepted engineering practices. Riley Equipment makes no warranties as to the completeness of this information. Users are responsible for evaluating individual product stability for specific applications. Riley Equipment assumes no liability whatsoever for any special, indirect or consequential damages arising from the sale, resale, or misuse of its products.